

EKL0E Series 8mm Polyamide Terminal Strip

Wire Entry	2.5mm ² (22-12 AWG)
Nominal Voltage	450V (UL 300V)
UL Amp Rating	20A
PA 6.6 Max Ambient Temp	T 85
PA 6.6 FR Max Ambient Temp	T 110
PA 6.6 Testing Temp EN60998	115°C
PA 6.6 FR Testing Temp EN60998	140°C
Inserts	Galvanized Brass
Screws	Galvanized Steel M2.6
Recommended Torque	7lb-in
Major Approvals	UL, CSA, VDE, OVE, SEMCO

ORDERING INSTRUCTIONS:

Insert Number of Poles from 2-12

With Wire Protectors:

Raised Base with Wire Protectors:

Flame Retardant PA 6.6 FR UL94V0 Brown w/WP:

EKL0E/___-ETB

EKL0EF/___-ETB

EKL0E/___FR-ETB

Without Wire Protectors:

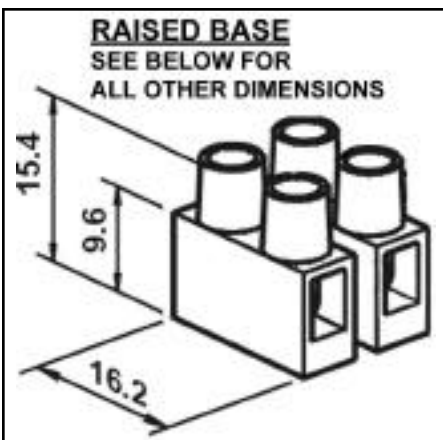
Raised Base without Wire Protectors:

Flame Retardant PA 6.6 FR UL94V0 Brown w/o WP:

EKL0E/___W-ETB

EKL0EF/___W-ETB

EKL0E/___WFR-ETB



Contact EuroComp for Options:

Printing

Marking Plates

Inserts with Center Barrier



Optional Center Barrier

